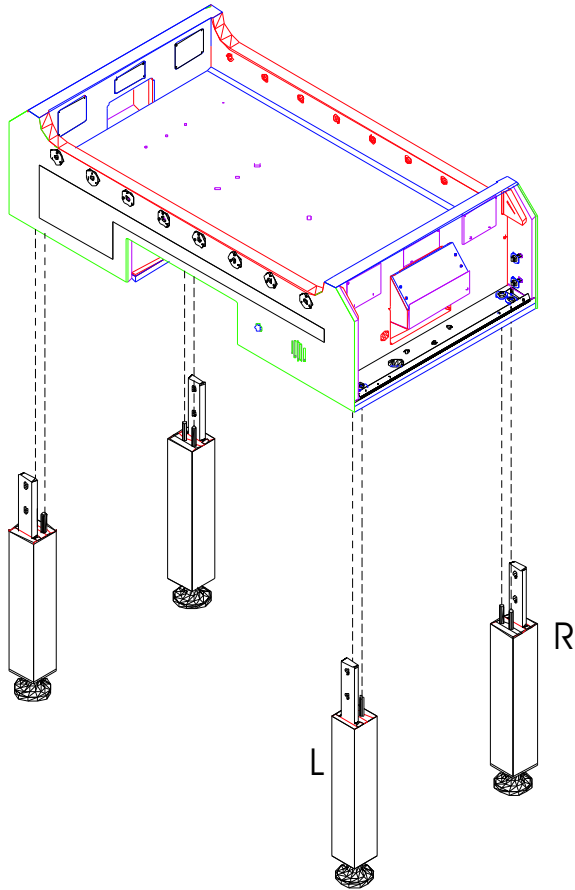
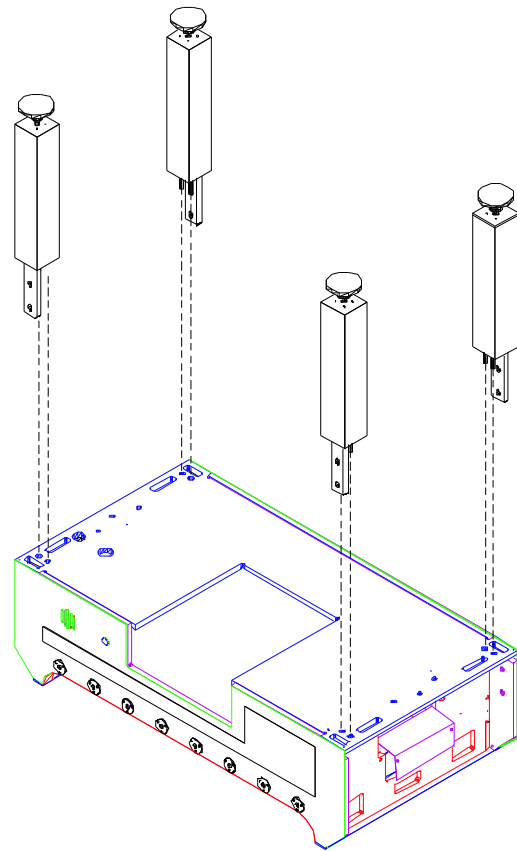


**Cabinet C V -**

**Final install  
of the Xfoos  
Coin-op table**



NOTE: There are LEFT and RIGHT legs.

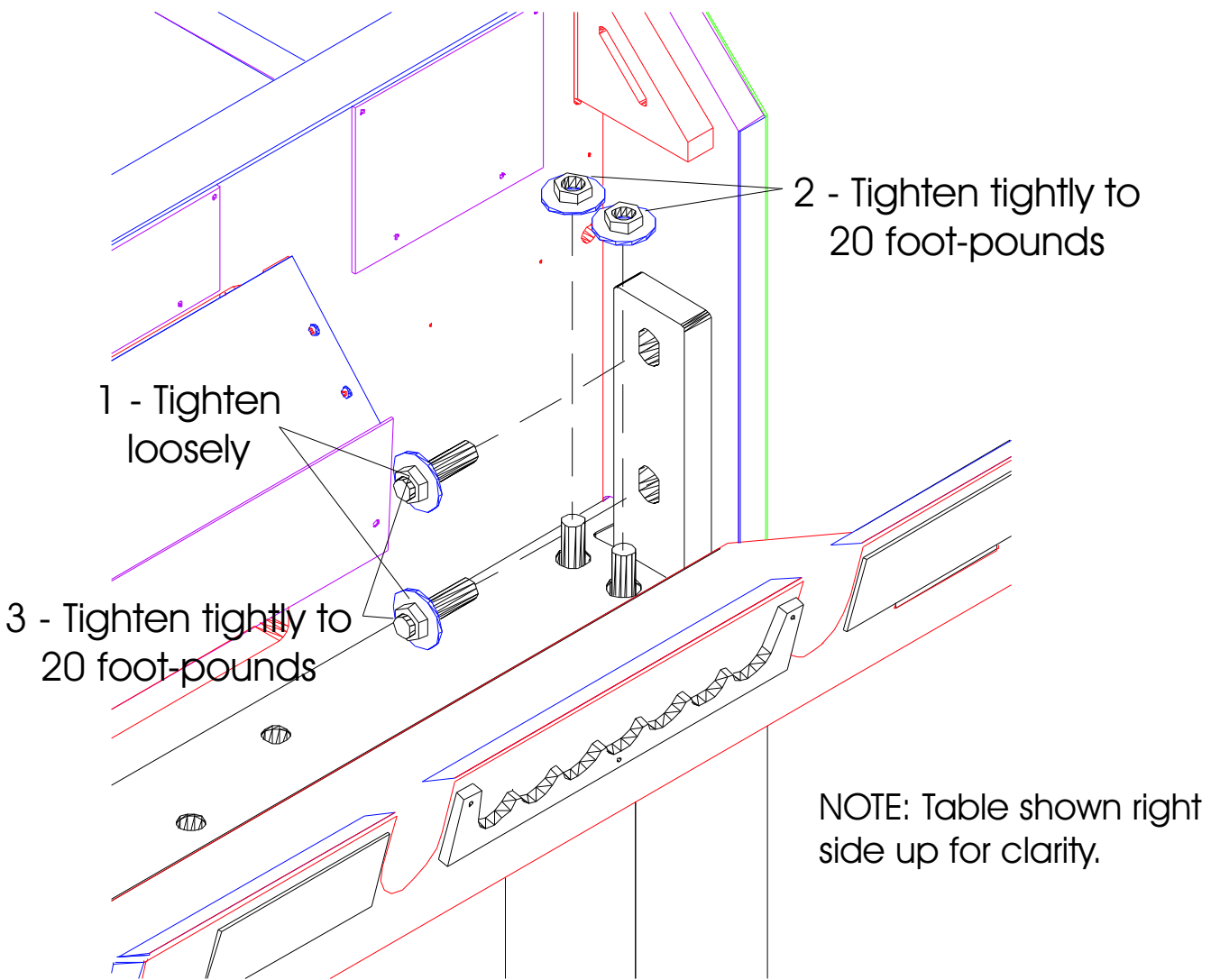


NOTE: The legs can be installed upside down if there is no table to set the foosball table on.

Assemble the legs using the holes in the leg pads. THERE ARE LEFT AND RIGHT LEGS. MAKE SURE THE LEGS ALIGN. Tighten nuts with a wrench.

**Phase 5 - Final Install**  
**ST4**

Part	Qty	Description	Notes
	4	Leg assemblies	
<b>Procedure</b>			
Insert the legs as shown. Open the backwalls.			



**Phase 5 - Final Install**  
**ST4**

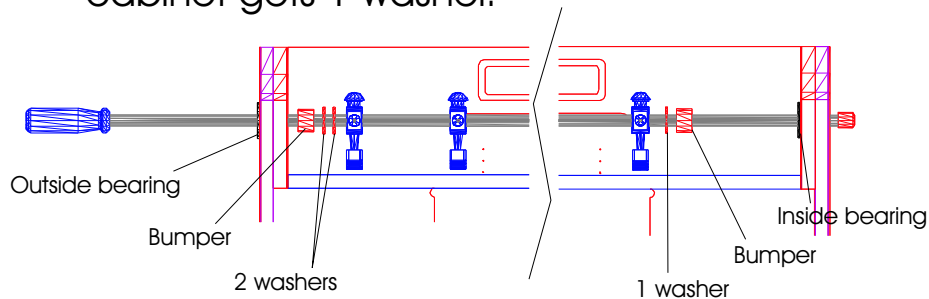
Part	Qty	Description	Notes
H	16	1/2 fender washers	
H	8	1/2 bolts	
H	8	1/2 nuts	

**Procedure**

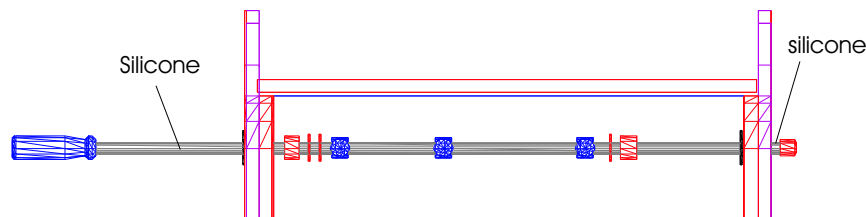
Tighten bolts with washers IN THE ORDER AS SHOWN - 1,2,3

# Please read the next 4 pages before installing the men and rods:

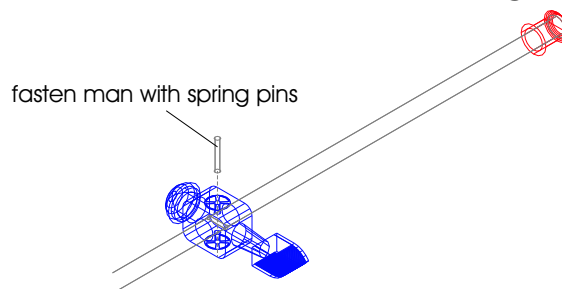
NOTE: When assembling the washers put the washer between the bumper and the foosball man. On each rod there is one black bearing on the inside and the outside of the cabinet. The bumper closest to the INSIDE bearing gets 2 washers! The bumper closest to the bearing on the outside of the cabinet gets 1 washer.



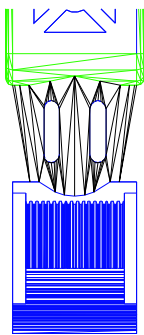
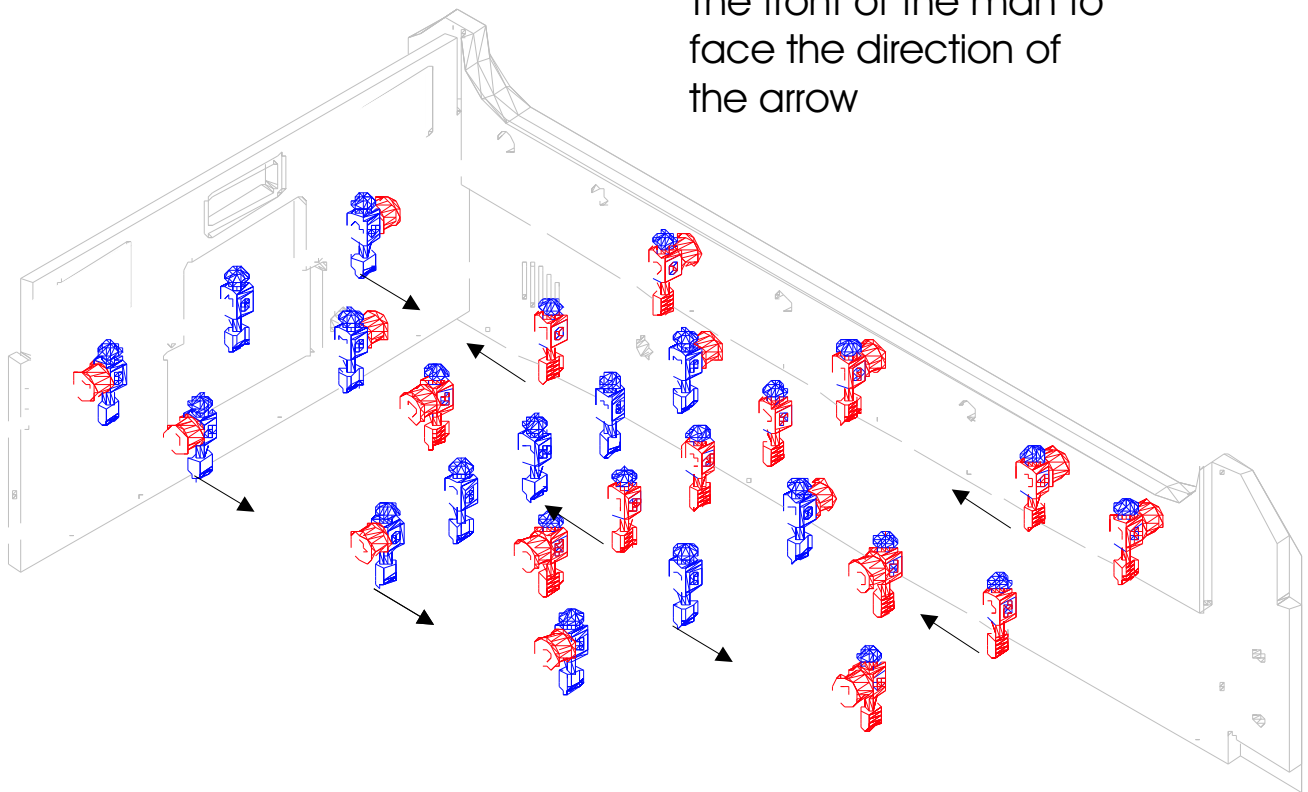
NOTE: Apply a drop of silicone on the tip of the rod when putting on the men and bumpers and washers. After installation re-apply silicone to make the rods as fast as possible.



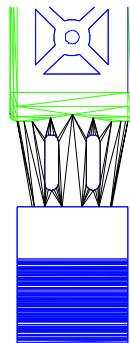
NOTE: The men are fastened with a spring pin hammered through the rod as the man is put into place over the rod hole. Line up the men and hammer the spring pin to fasten the men on each rod. *We regret we cannot ship the table with the men fastened as that would require a gigantic box and increased shipping costs.*



The front of the man to face the direction of the arrow



The front of the man's foot has vertical and horizontal grooves in it.

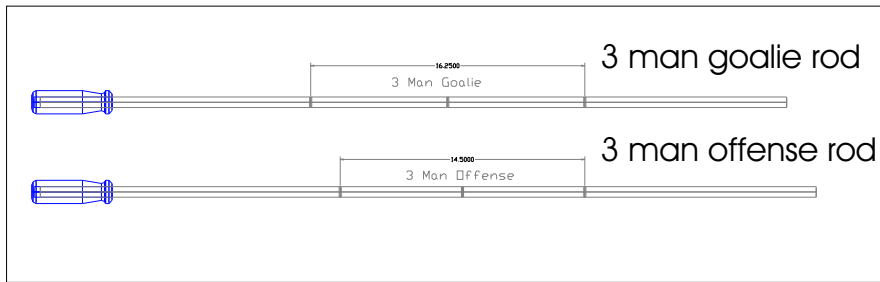


The back of the man's foot has horizontal grooves in it with a smooth top part.

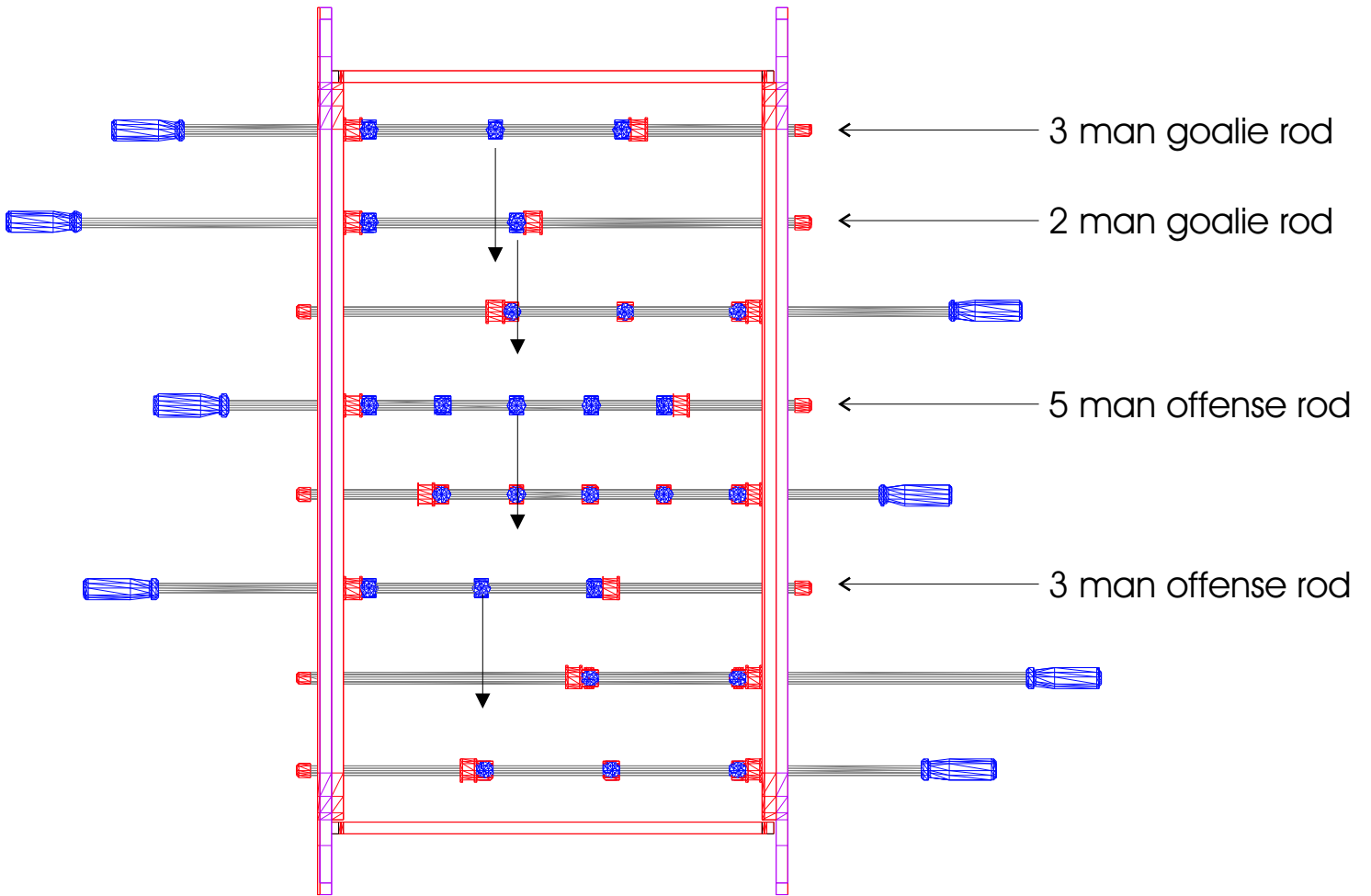
**Phase 5 - Final Install**  
**ST4**

Part	Qty	Description	Notes
F	16	Bumpers	Foosball parts
F	24	Washers	Foosball parts
F	13	Red men	Foosball parts
F	13	Blue men	Foosball parts

**Procedure**



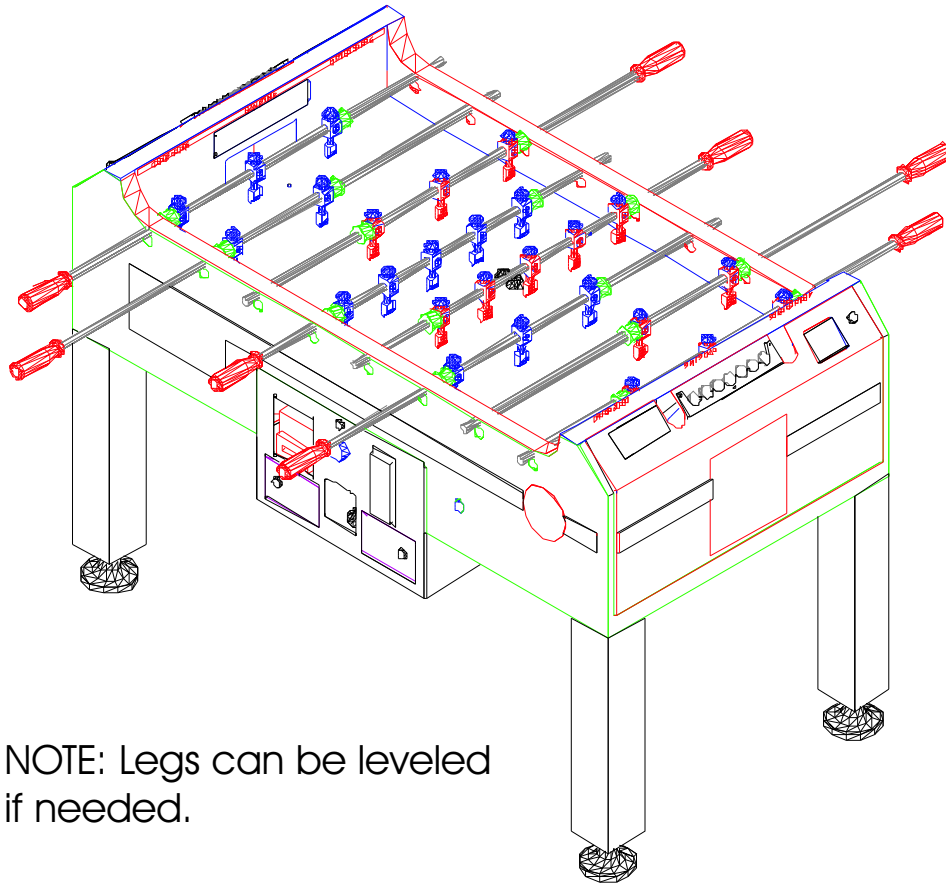
The 3 man goalie rod has greater man spacing than the 3 man offense rod



**Phase 5 - Final Install**  
**ST4**

Part	Qty	Description	Notes
F	8	Handles	Foosball parts
F	8	Rods (2 ea of 4 rods)	Foosball parts
F	4	Foosballs	

**Procedure**



NOTE: Legs can be leveled if needed.

**Phase 5 - Final Install  
ST4**

Part	Qty	Description	Notes
<b>Procedure</b>			
THIS PHASE FINISHED.			