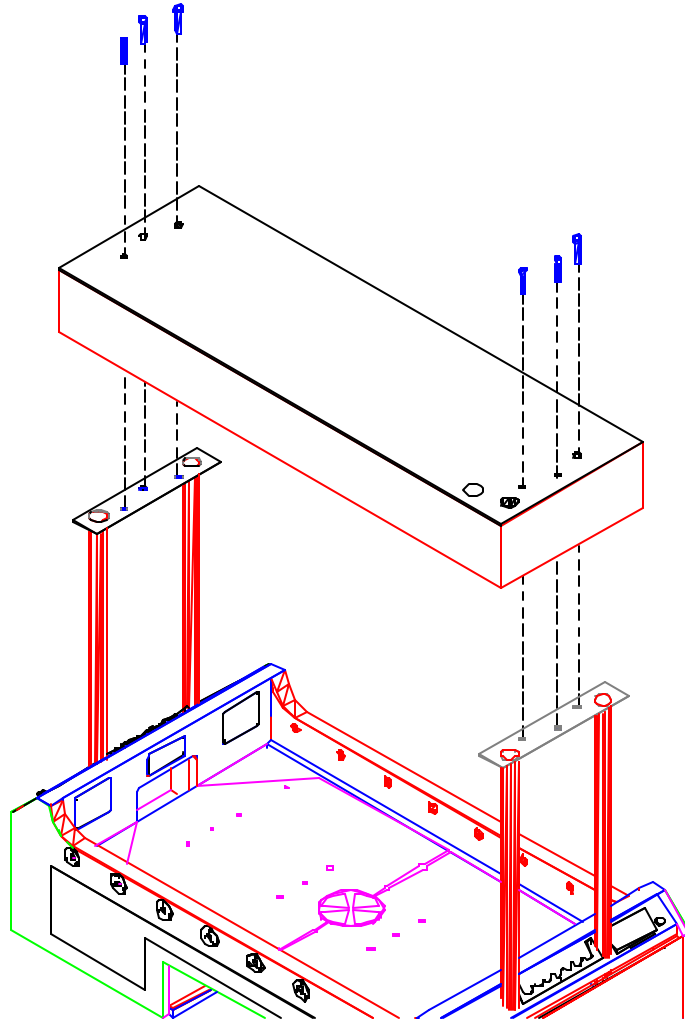


**Phase 6 - Light and drink rack
ST4**

Part	Qty	Description	Notes
M	2	Metal assemblies for lightstand	Parts 11D and 11E.
H	6	1/2 bolts x 3 1/2	
H	6	1/2 washers	
H	6	1/2 nuts	

Procedure

Attach the lightstands to the cabinet body.



**Phase 6 - Light and drink rack
ST4**

Part	Qty	Description	Notes
H	6	1/2 bolts x 3 1/2	
H	6	1/2 washers	
H	6	1/2 nuts	

Procedure

Attach the light assembly to the lighstands.